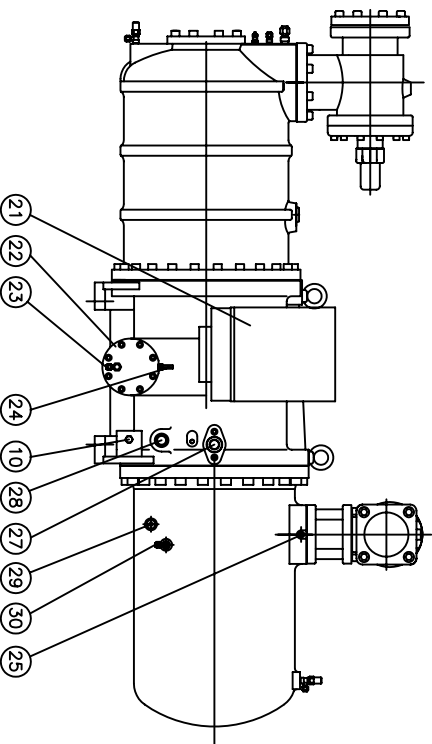
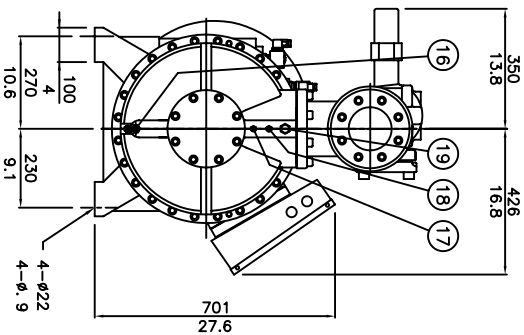
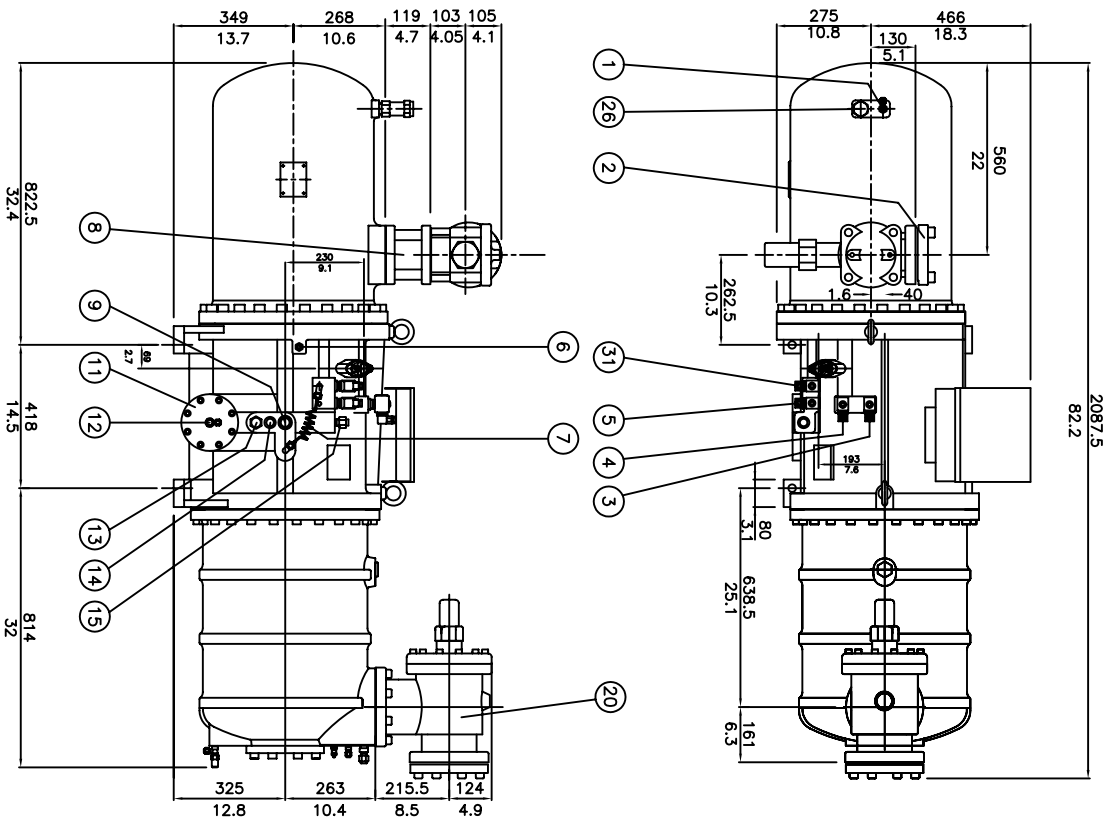


No.	Name	Note	No.	Name	Note
1	Angle valve	1/4"Flare	17	Refrigerant service valve	1/4"Flare
2	Discharge flange	4"	18	Connector	1/4"Flare
3	Solenoid valve	50%(NC)	19	Liquid Injection connector	5/8"Flare
4	Solenoid valve	75%(NC)	20	Suction flange	5"
5	Solenoid valve	35%(NC)	21	Cable box	Standard
6	Liquid(oil or refrigerant) injection connector	3/8"Flare	22	Service flange	
7	Capillary		23	Oil drain valve	
8	Check valve	4"	24	Oil level switch	
9	Oil flow sight glass		25	Discharge temp. sensor	110°C
10	Oil heater	150W/300W	26	Safety Valve	option
11	Oil filter cartridge		27	Economizer port	1 1/8", solder
12	Oil Pressure differential switch	Connector, option	28	Oil level sight glass	option
13	Oil cooler connector(out)	3/4"Flare, option	29	Oil temp. sensor	option
14	Stop pin	option	30	Over flow port	option
15	Oil cooler connector(in)	3/4"Flare, option	31	Solenoid valve	Stepless(NO), option
16	Angle valve	1/4"Flare			

\*All stop valves are optional.



Dimensional Outline Drawing & Component Description  
for Stepless or Modulating-Type Capacity Control Application

Hanbell Model RC2-930B  
Date and Rev. 07/31/2008 A  
Drawn By B.Lai



Micro Control Systems, Inc.

5877 Enterprise Parkway  
Fort Myers, Florida 33905  
Tel. (239) 694-0089 Fax (239) 694-0031  
E-mail: compressors@mcscontrols.com

Hanbell Precise Machinery Co., Ltd.

